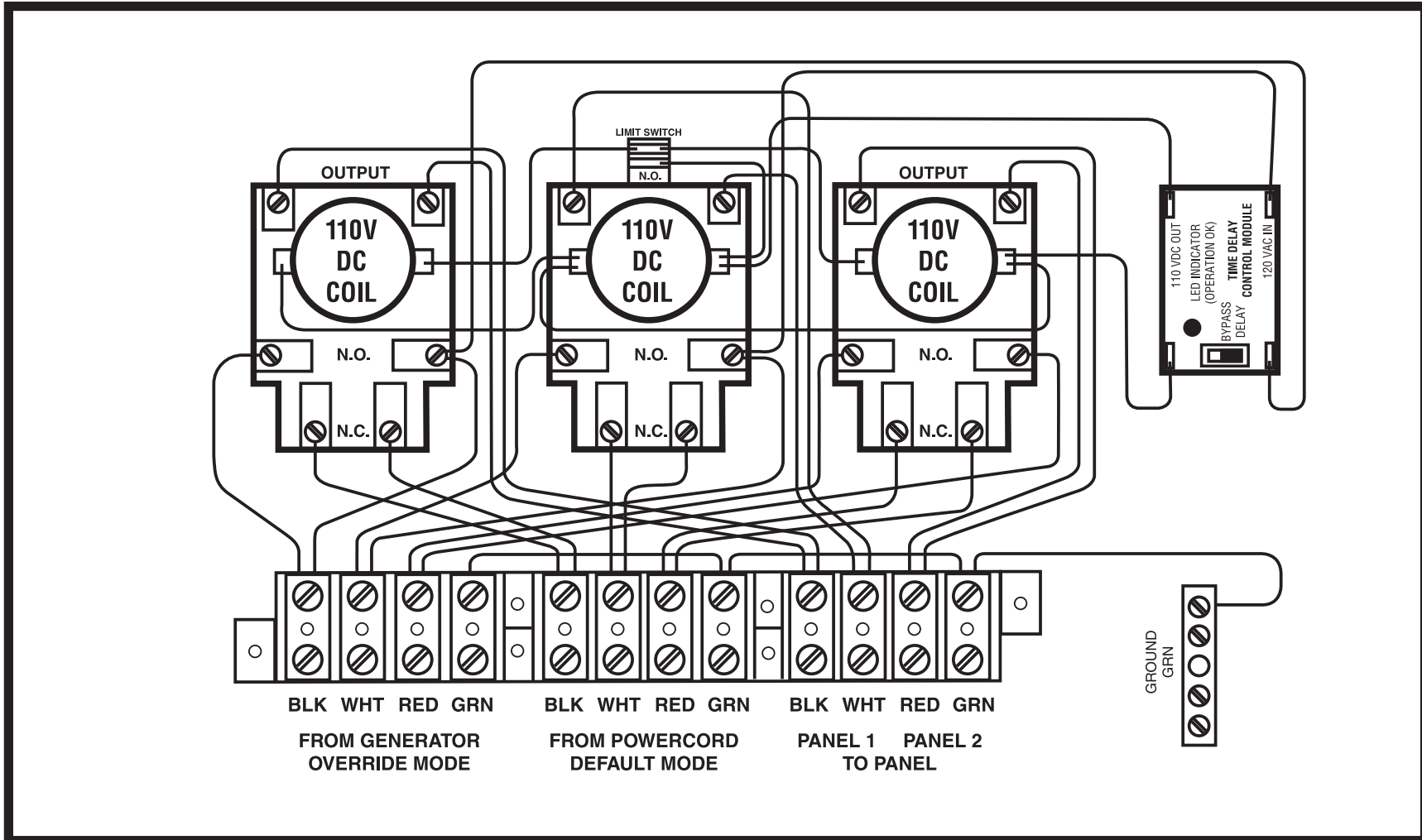


MAXIMUM SERVICE  
 120V 60Hz 1 Phase  
 100 Amps/Pole 3 Pole  
 GENERAL LOADS

**MODEL ITS-100R  
 TRANSFER SWITCH**



**WARNING**

MULTIPLE 120/240 VOLT POWER SOURCES. ALL MUST BE SECURED OFF BEFORE SERVICING. REFER SERVICE TO A QUALIFIED ELECTRICIAN.

**NOTE**

120/240 VOLT TRANSFER SWITCHES MAY NOT OPERATE IF POWER IS LOST ON ONE HOT LEG WHEN RUNNING ON 240 VOLTS.

Use copper wire only  
 75° C. minimum.